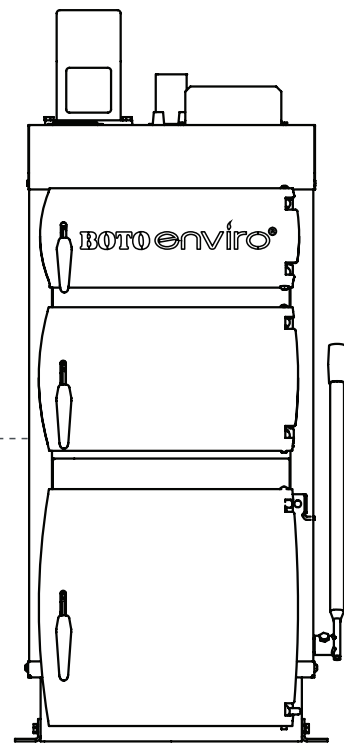


# mTop

KOTOL NA DREVO / WOOD BURNING BOILER



**BOTO** enviro<sup>®</sup>

Myslite ekologicky, ekonomicky.

## Technické informácie

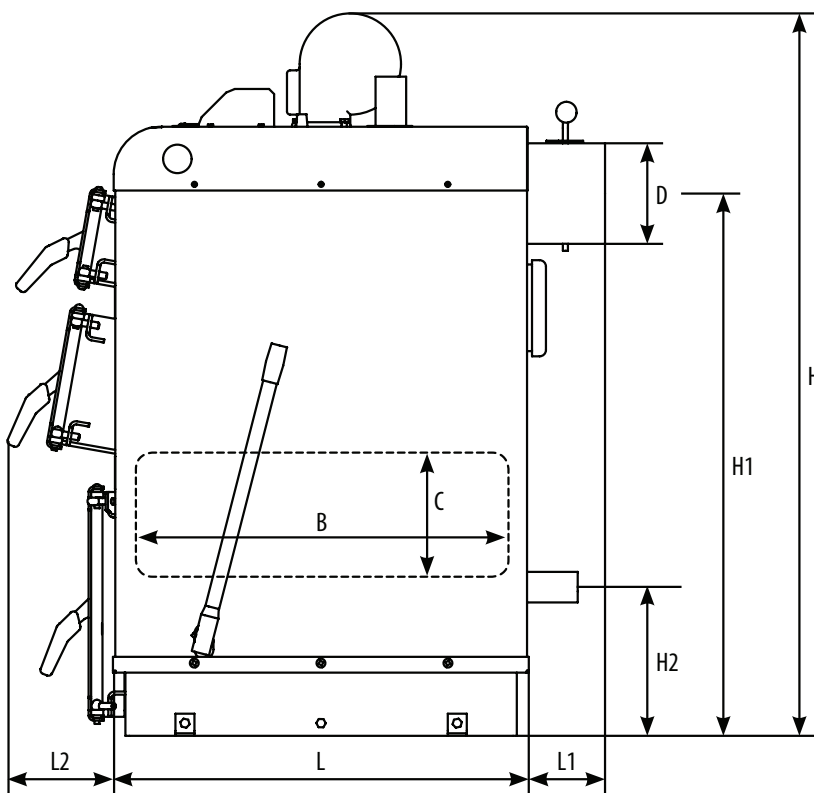
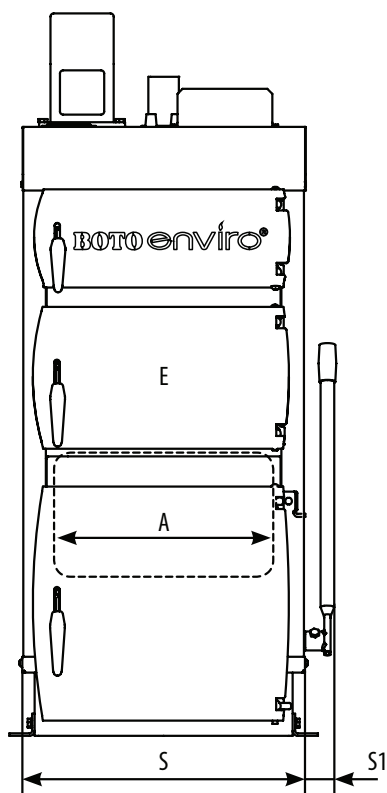
Menovitý výkon [kW] / Heating power [kW]	15	20	25
Hĺbka + dymovod [mm] / Depth + flue [mm]	650 + 150	750 + 150	770 + 150
Výška po os dymovodu [mm] / Height to flue axis [mm]	800	850	850
Priemer dymovodu [mm] / Flue diameter [mm]	Ø 159		
Plocha vyhrievaných miestností <sup>1</sup> [m <sup>2</sup> ] / Area of heated rooms <sup>1</sup> [m <sup>2</sup> ]	130 - 170	180 - 200	230 - 250
Objem vyhrievaných miestností <sup>1</sup> [m <sup>3</sup> ] / Cubature of heated rooms <sup>1</sup> [m <sup>3</sup> ]	325 - 375	450 - 500	575 - 625
Účinnosť [%] / Efficiency [%]	~ 80		
Kapacita spalovacej komory [dm <sup>3</sup> ] / Capacity of combustion chamber [dm <sup>3</sup> ]	~ 50	~ 60	~ 70
Objem vody v kotli [dm <sup>3</sup> ] / Water capacity of boiler [dm <sup>3</sup> ]	45	55	65
Maximálny pracovný tlak [bar] / Max. working pressure [bar]	1,5		
Minimálny ťah komína <sup>2</sup> [Pa] / Requested minimum chimney draught <sup>2</sup> [Pa]	23	25	
Teplota vody min. / max. [°C] / Water temperature min./max. [°C]	57 / 95		
Hmotnosť kotla bez vody [kg] / Boiler weight without water [kg]	190	245	280
Výstup z kotla [palce] / Water tubular diameter [inch]	G 1 1/2		

<sup>1</sup> pri spotrebe tepla q-100 W/m<sup>2</sup> pre budovy zateplené expandovaným polystyrénom s hrúbkou 5 cm (EPS) / with the heating consumption q-100 W/m<sup>2</sup> for the building insulated with foamed polystyrene 5 cm thick; <sup>2</sup> v súlade so štandardmi EN 12809, EN 303-5:2002 / according to EN 12809, EN 303-5:2002 norms.

Technický nákres

mTop

mTop	15	20	25
A [mm]	340		390
B [mm]	420	550	580
C [mm]	250		
D [mm]	Ø 159		
E [mm]	300 x 190		
L [mm]	520	650	680
L1 [mm]	110		
L2 [mm]	180		
H [mm]	1150		
H1 [mm]	850		
H2 [mm]	235		
S [mm]	450	500	
S1 [mm]	50		



**BOTO** enviro<sup>®</sup>

Boto Enviro s.r.o., Považská 34, 940 01 Nové Zámky

IČO: 48130486 - IČ DPH: SK2120067444

0911 123 971 - [info@botoenviro.sk](mailto:info@botoenviro.sk)